



LC3-AX

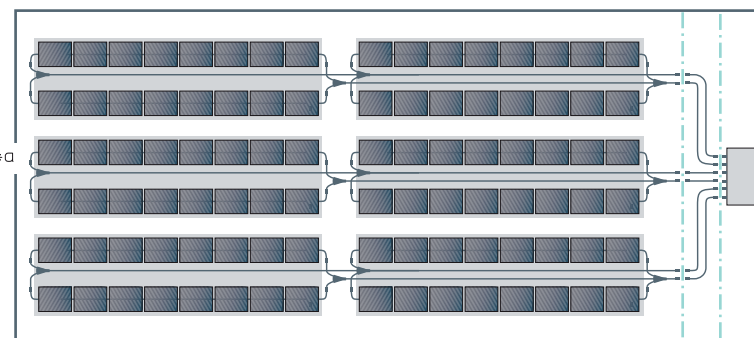
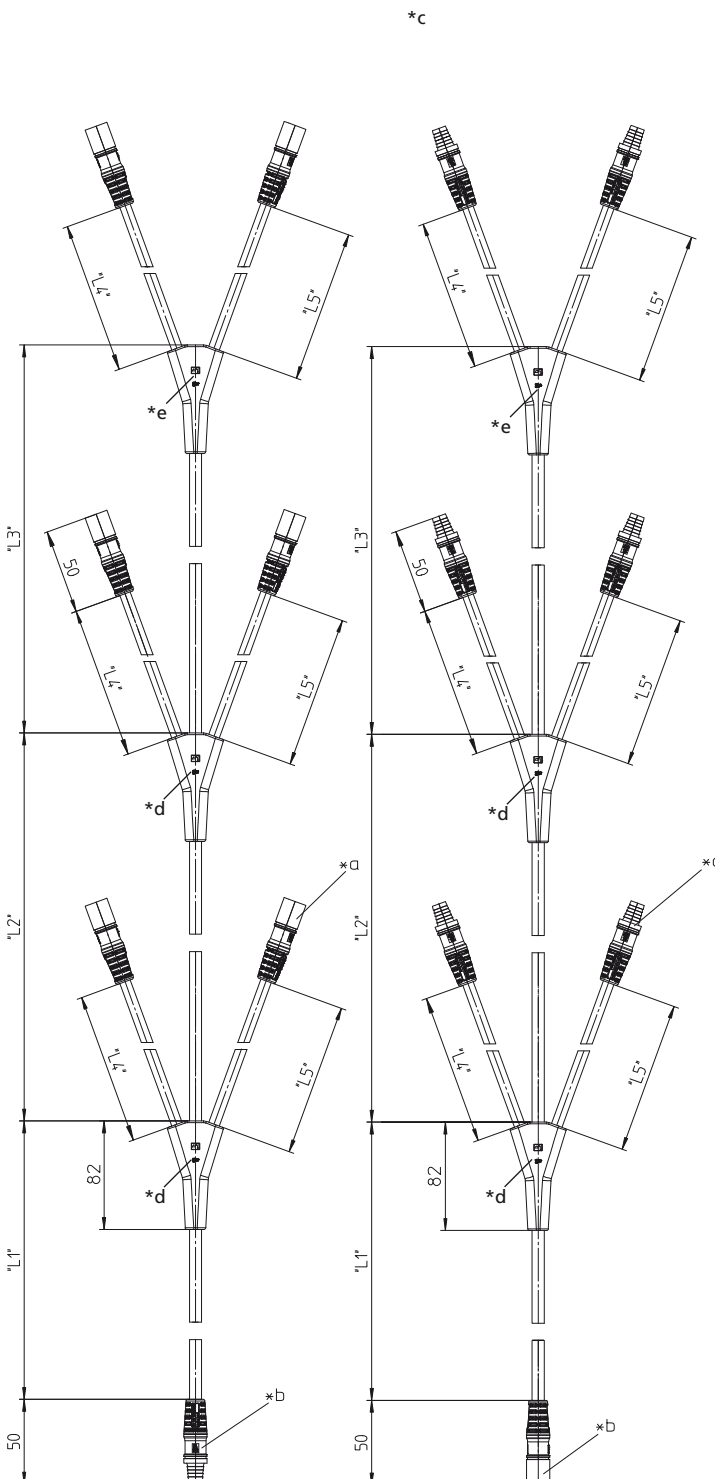
LC3® photovoltaic array harness, type X, with overmolded cable branches and connectors with bend protection, total length, number of branches and distance between branches (plugs or sockets) **according to customer's specification**

- 1. Temperature range** -40 °C/+85 °C
(+110 °C upper limit temperature)
- 2. Materials** halogen-free, UV-resistant
Insulating body TPU, V0 according to UL 94
Further Data see LC3-AM
- 3. Mechanical data**
Mating with photovoltaic connectors LC3
Protection degree¹ IP 68
Further data see LC3-AM
Connected conductor
Photovoltaic cable, double-insulated, technical data on request
Section main cable 6.0 mm² (AWG 10)
Section branch cable 4.0 mm² (AWG 12)
- 4. Electrical data** (at T_{amb} 20 °C)
Contact resistance² ≤ 5 mΩ
Rated current³ 40 A at T_{amb} 85 °C
Rated voltage⁴ 1000 V DC
Overvoltage category⁴ III (8 kV)
Material group⁴ I (IEC)/0 (UL) (CTI ≥ 600)
Creepage distance ≥ 12.5 mm
Clearance ≥ 12.5 mm
Insulation resistance > 10 GΩ

- ¹ only in mated condition with a proper counterpart
- ² IP X8 requirements under agreement between manufacturer and user
- ³ measured with a proper counterpart, only connectors without cable
- ⁴ maximum current value for the whole component, measured with a proper counterpart according to DIN EN 60664/IEC 60664 resp. according to ANSI/UL 746A



additional approvals under preparation



Photovoltaic array harnesses: wiring diagram Typ X
Interconnection of module tables with complete, overmolded harnesses – pre-assembled at the customer's specification

- *a plug LC3-AM 00
- *b socket LC3-AM 01
- *c configuration examples
- *d X-branch
- *e Y-branch

Designation

LC3-AX ...

details upon request