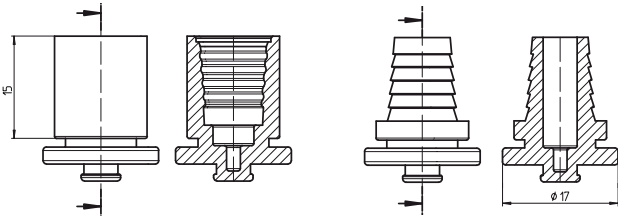
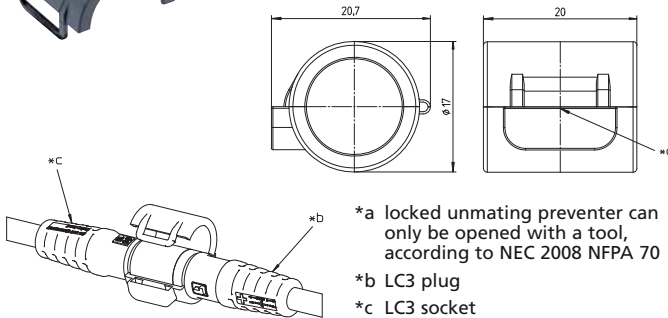



LC3-CX 91

LC3-CX 92


Designation	Description
LC3-CX 91	for sockets
LC3-CX 92	for plug

Package unit: 100 pieces in a cardboard box


Designation	Description
LC3-CX 90	un mating preventer

Package unit: 100 pieces in a cardboard box


Designation	Description
LC3-CX CZ47-2.5	crimp tool for 2.5 mm ²
LC3-CX CZ47-4	crimp tool for 4.0 mm ²
LC3-CX CZ47-6	crimp tool for 6.0 mm ²

LC3-CX 91
LC3-CX 92

 Protective cap for LC3® photovoltaic connectors
 LC3-CX 91: for sockets
 LC3-CX 92: for plugs

- 1. Material** haloge-free, UV-resistant
 TPU, V0 according to UL 94

LC3-CX 90

Unmating preventer, can be used with LC3® photovoltaic connectors as an optional locking according to NEC 2008 NFPA 70

- 1. Material** halogen-free, UV-UV-resistant
 PA

LC3-CX CZ47-2.5
LC3-CX CZ47-4
LC3-CX CZ47-6

Manual crimp tool for termination of LC3® photovoltaic connectors with crimp contacts, with stripper

- 1. Range of applications**
- | | |
|---|--------------------------------------|
| Photovoltaic connector | LC3-CP 1..., LC3-CP 3... |
| Connectable conductors crimp terminal | |
| Photovoltaic cable, double-insulated ¹ | |
| LC3-CX CZ47-2.5 | Section 2.5 mm ² (AWG 14) |
| LC3-CX CZ47-4 | Section 4.0 mm ² (AWG 12) |
| LC3-CX CZ47-6 | Section 6.0 mm ² (AWG 10) |
- 2. Features**
- | | |
|----------------------|--|
| Application | low-volume production, installation, repair |
| Stroke capacity | ca. 240/h |
| - Optional features: | exchangeable processing tools for other sections |
- 3. Dimensions**
- | | |
|------------------------|------------------------|
| Dimensions (H x W x D) | 45 mm x 80 mm x 270 mm |
| Weight | ca. 0.7 kg |
- ¹ wire construction preferably according to IEC 60228 class 5, otherwise crimp connection must be tested