



LC4-AM 00
LC4-AM 01
LC4-AM 6...

LC4® photovoltaic connecting cables, with overmolded connectors, integrated locking and bend protection
LC4-AM 00: with plug and open end
LC4-AM 01: with socket and open end
LC4-AM 60: with two plugs
LC4-AM 61: with two sockets
LC4-AM 62: with plug and socket
LC3-AM 650: with LC3 plug and LC4 plug⁵
LC3-AM 651: with LC3 socket and LC4 socket⁵
LC3-AM 652: with LC3 plug and LC4 socket⁵
LC3-AM 655: with LC3 socket and LC4 plug⁵

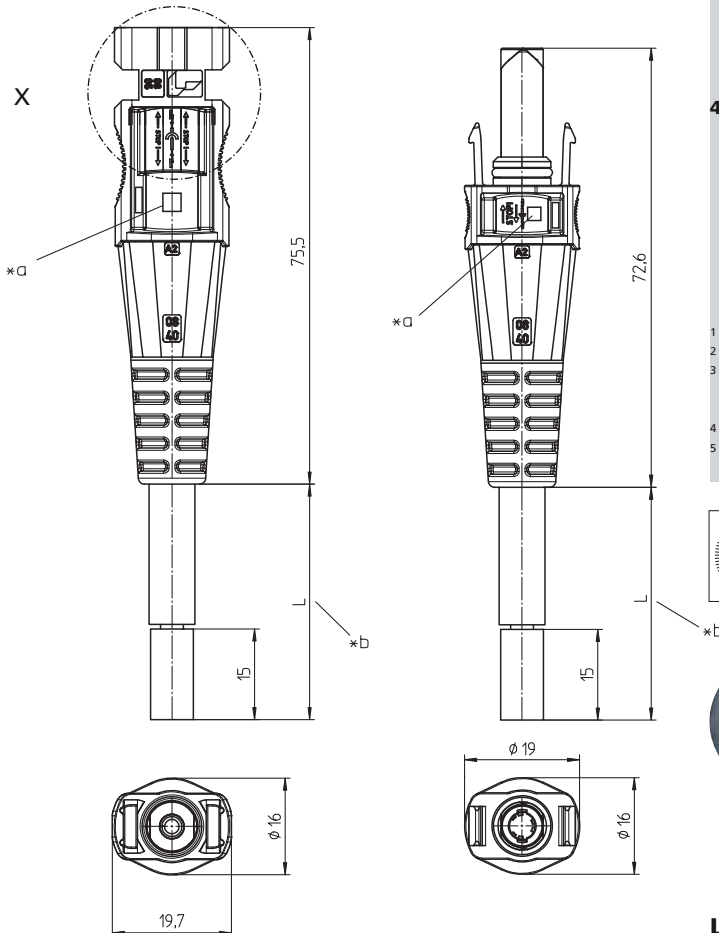
- Temperature range**
-40 °C/+85 °C (IEC)
-40 °C/+90 °C (UL)
(+110 °C upper limit temperature)
- Materials**
Insulating body: m-PPE, V0 according to UL 94
Contact pin/bush: CuNiSi, tinned
Tubular rivet: CuZn
Sealing (sockets only): NBR
- Mechanical data**
Insertion force¹: ≤ 20 N
Withdrawal force¹: ≥ 10 N
Retaining force of locking latches²: ≥ 90 N
Mating cycles²: 50
Mating with: photovoltaic connectors LC4
Protection degree³: IP 68
Connected conductor
Photovoltaic cable, double-insulated, technical data on request
Section alternatively: 2.5 mm² (AWG 14)
4.0 mm² (AWG 12)
6.0 mm² (AWG 10)

- Electrical data (at T_{amb} 20 °C)**
Contact resistance²: ≤ 1 mΩ
Rated current (IEC)²:
22 A at T_{amb} 85 °C, 2.5 mm² (AWG 14)
30 A at T_{amb} 85 °C, 4.0 mm² (AWG 12)
30 A at T_{amb} 85 °C, 6.0 mm² (AWG 10)
35 A at T_{amb} 20 °C, 2,5/4,0/6,0 mm²
1000 V DC (IEC)/600 V DC (UL)
Rated current (UL)²:
Rated voltage⁴: III (8 kV)
Overvoltage category⁴: I (IEC)/0 (UL) (CTI ≥ 600)
Material group⁴:
Creepage distance/clearance between contact and touchable surfaces: 28.3 mm
Insulation resistance: > 10 GΩ

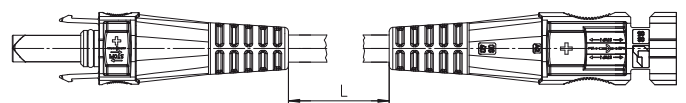
¹ measured with a polished steel gauge, nominal thickness 4.0 mm
² measured with a proper counterpart according to IEC 60529/DIN EN 60529
³ only in mated condition with a proper counterpart
⁴ IP X8 requirements under agreement between manufacturer and user according to DIN EN 60664/IEC 60664 resp. according to ANSI/UL 746A
⁵ adapter cables LC3 to LC4, for technical data of LC3 connectors see LC3-AM

LC4-AM 00

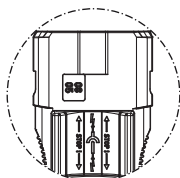
LC4-AM 01



LC4-AM 62



X



LC4-AM 00 IT

Designation

LC4-AM ...

details upon request

*a marking + on LC4-AM ...-1
marking - on LC4-AM ...-2