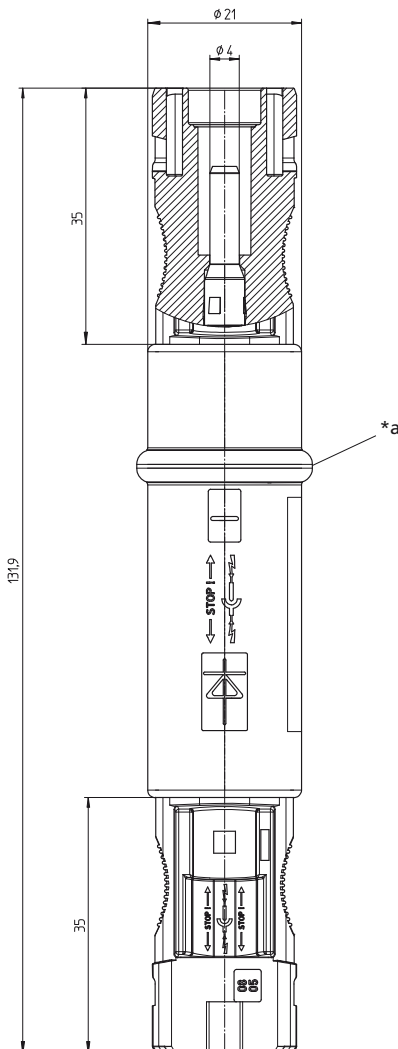



LC4-CP 970 IT


*a embossment identifying the cathode side

LC4-CP 970

LC4® in-line diode connector assembly for photovoltaic installations¹, overmolded, plug-plug

1. Temperature range	-40 °C/+85 °C (+110 °C upper limit temperature)
2. Materials	halogen-free, UV-resistant
Insulating body/housing	m-PC, V1 according to UL 94
Inner shells	m-PC, V1 according to UL 94
Contact pin/bush	CuNiSi, tinned
Inner contacts	CuNiSi, tinned
3. Mechanical data	
Insertion force ²	≤ 20 N
Withdrawal force ²	≥ 10 N
Retaining force of locking latches ²	≥ 90 N
Mating cycles ²	50
Mating with	photovoltaic connectors LC4
Protection degree ³	IP 68
4. Electrical data (at T_{amb} 20 °C)	
Contact resistance	≤ 5 mΩ
Rated current and voltage	various diodes available, values depending on type of diode, details upon request
Material group ⁴	I (IEC)/0 (UL) (CTI ≥ 600)
Creepage distance/clearance between contact and touchable surface	28.3 mm
Insulation resistance	> 10 GΩ
¹	according to application class A of IEC 61730-1/UL 1703
²	measured with a proper counterpart
³	according to IEC 60529/DIN EN 60529
⁴	only in mated condition with a proper counterpart
	IP X8 requirements under agreement between manufacturer and user
	according to DIN EN 60664/IEC 60664 resp. according to ANSI/UL 746A

Approvals under preparation

Bestellbezeichnung
LC4-CP 970 IT D02 4A 1000V
Package unit: 100 pieces in a cardboard box
www.lumberg.com
Composition of type designation
